

1

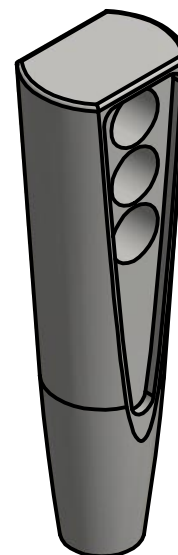
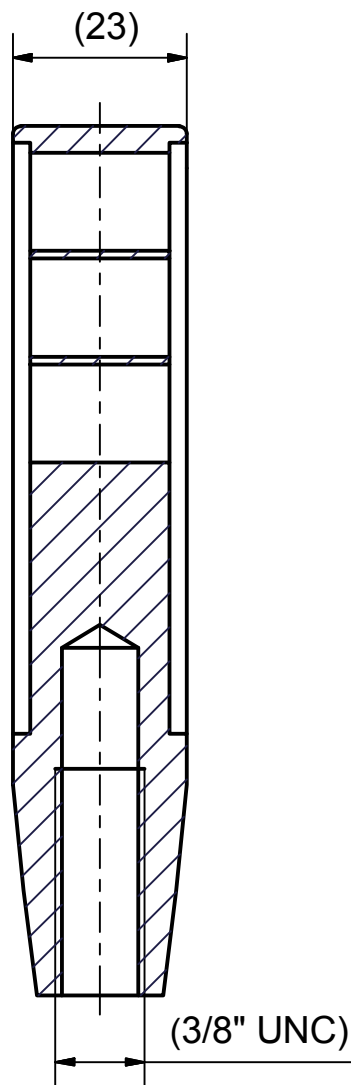
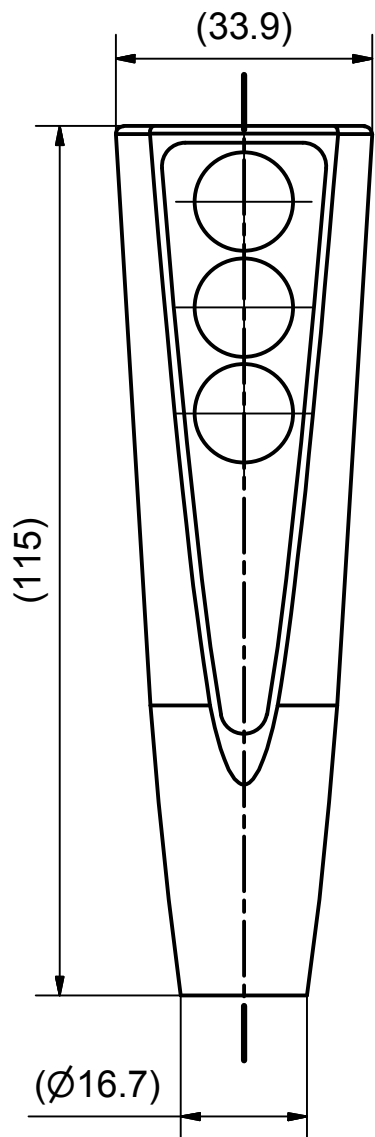
2

3

4

A

A



B

B

C

C

D

D

E

E

F

F

DESCRIPTION
2 sided handle



©

THIS DRAWING IS THE PROPERTY OF MICRO MATIC A/S AND MUST NOT BE USED, DISCLOSED OR REPRODUCED WITHOUT PRIOR WRITTEN AUTHORITY.

1

2

3

4